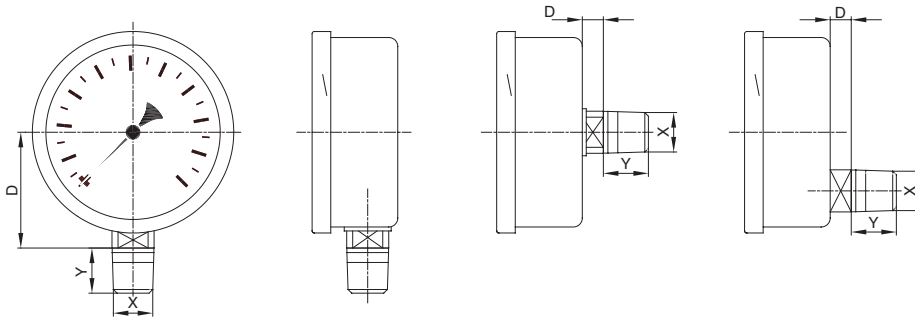


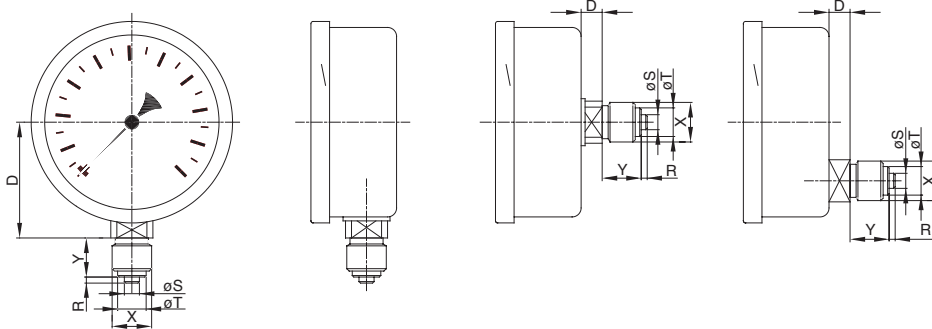


# Standard process connections

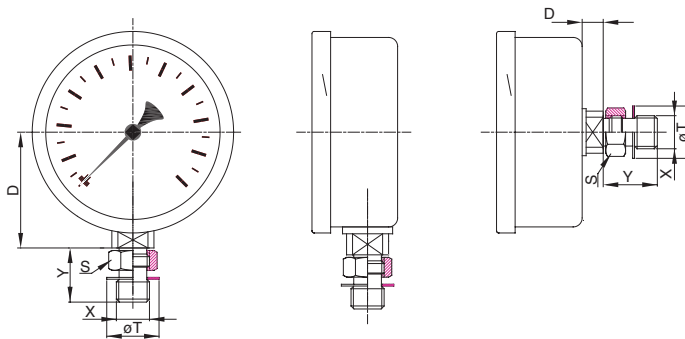
## Form A



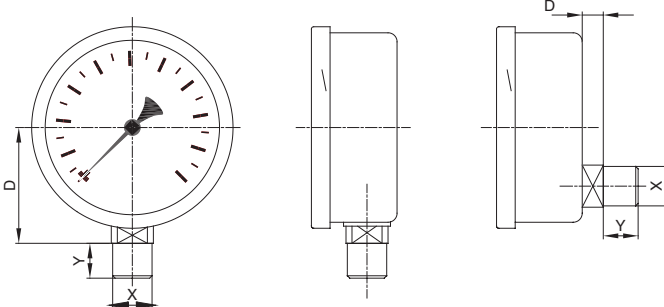
## Form B



## Form C



## Form D



form	X	Y	R	S	T
A	1/8"NPT or 1/8" BSPT	.39			
	1/4"NPT or 1/4" BSPT	.51			
	1/2"NPT or 1/2" BSPT	.79			
B	G 1/8" A	.39	.08	.16	.31
	G 1/4" A	.51	.08	.20	.37
	G 1/2" A	.79	.12	.24	.69
C	7/16" UNF	.71		.55	.69
D	9/16" - 18 UNF	.71			
	5/8" - 18 UNF	.71			

form	X	Y	R	S	T
A	1/8"NPT or 1/8" BSPT	10			
	1/4"NPT or 1/4" BSPT	13			
	1/2"NPT or 1/2" BSPT	20			
B	G 1/8" A	10	2	4	8.0
	G 1/4" A	13	2	5	9.5
	G 1/2" A	20	3	6	17.5
C	7/16" UNF	18		14	17,4
D	9/16" - 18 UNF	18			
	5/8" - 18 UNF	18			

For measurement "D" consult sizes per series in this catalog  
Please consult ENFM for special connections.