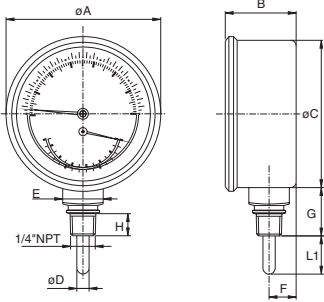




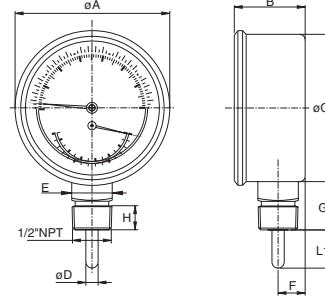
Sizes Series 4201

4201 bottom connection - 1/4"NPT



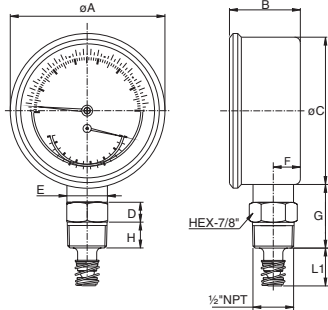
	Size	A	B	C	D	E	F	G	H	L1
inch	3 1/4 - stem 10	3.31	1.52	3.15	0.33	0.87	0.58	1.02	0.47	0.95
	3 1/4 - stem 20	3.31	1.52	3.15	0.33	0.87	0.58	1.02	0.47	2.20
mm	80 - stem 10	84	38.5	80	8.5	22	14.7	26	12	24
	80 - stem 20	84	38.5	80	8.5	22	14.7	26	12	56

4201 bottom connection - 1/2"NPT



	Size	A	B	C	D	E	F	G	H	L1
inch	3 1/4 - stem 50	3.31	1.52	3.15	0.33	0.87	0.58	1.02	0.51	0.70
	3 1/4 - stem 70	3.31	1.52	3.15	0.33	0.87	0.58	1.02	0.51	2.00
mm	80 - stem 50	84	38.5	80	8.5	22	14.7	26	13	18
	80 - stem 70	84	38.5	80	8.5	22	14.7	26	13	51

4201 bottom connection with 1/2"NPT self-closing valve



	Size	A	B	C	D	E	F	G	H	L1
inch	3 1/4 - stem 60	3.31	1.52	3.15	0.43	0.87	0.58	1.14	0.55	0.87
mm	80 - stem 60	84	38.5	80	11	22	14.7	29	14	22

