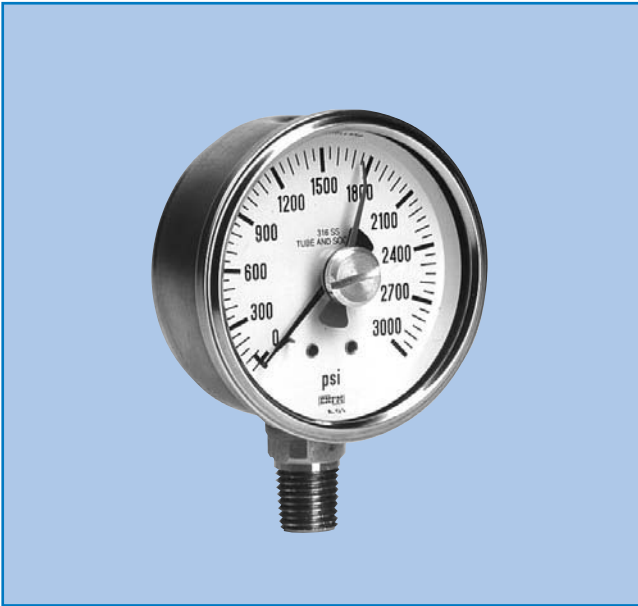




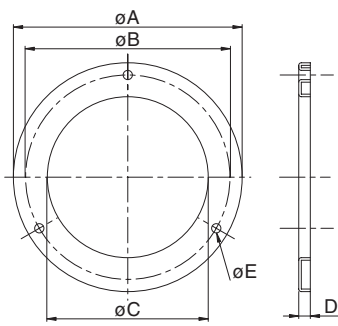
Maximum slip pointer

ENFM offers for all sizes a maximum slip pointer in a dry and liquid filled version. The maximum slip pointer follows the regular pointer on increasing pressure. It stays at the lightest point until it is reset by the knob on the front of the window.



ANSI Frontflange

ANSI Frontflange for 2 1/2" gauges

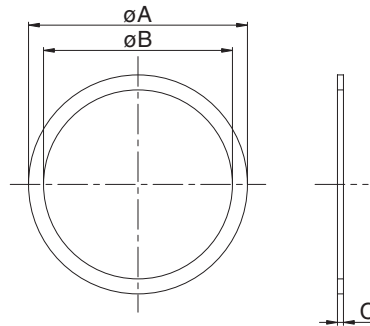


	Size	A	B	C	D	E
inch	2 1/2"	3.50	2.46	3.13	0.10	0.14
mm	63	89.0	62.6	79.5	2.5	3.6

Panel Ring



Panel ring for 2 and 2 1/2" gauges



	Size	A	B	C
inch	2	2.50	1.98	0.04
	2 1/2"	2.87	2.49	0.04
mm	50	63.5	50.2	1
	63	73.0	63.2	1