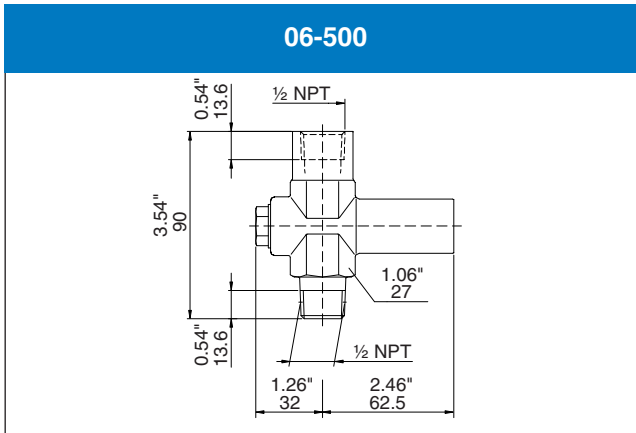
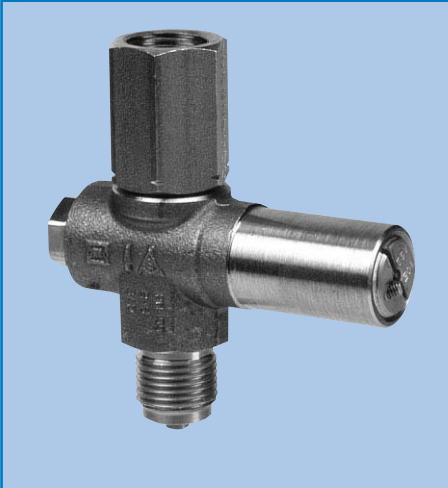




Series 06-500

Overpressure protector

Overpressure protectors protect pressure instruments from damaging spikes or surges. At a predetermined pressure, the overpressure protector "shuts-off" the pressure instrument thus preventing damage to the pressure sensing element and protecting the calibration.



Body	brass	stainless steel
Overrange protection	10000 psi	15000 psi
Temperature range	max. 175°F / 80°C	max. 175°F / 80°C
Piston	stainless steel	stainless steel
Connection	Brass	stainless steel
O-Ring / Diaphragm	(Viton)	(Viton)
Connection	1/2" NPT	1/2" NPT
Predetermined pressure range		
6-35 psi	AO1211	AO2221
30-85 psi	AO1212	AO2222
70-350 psi	AO1213	AO2223
300-850 psi	AO1214	AO2224
700-3500 psi	AO1215	AO2225
3200-6000 psi	AO1216	AO2226



Series 06-800

Rubber covers

Rubber covers are used to protect the gauges for shocks.



Material: rubber
Colors: BLUE, RED AND BLACK

Execution	Color	Diameter	Article number
Open for LM and CBM connection	red	2 1/2"	AB3OR
	blue	2 1/2"	AB3OB
	blue	4"	AB5OB
	black	4"	AB5OZ