



# Series 06-400

# Siphons

Siphons should be used to protect pressure instruments in live steam service or other hot vapor applications. The vapor condenses inside the coil of the siphon which prevents the high temperature vapors from reaching the sensing element of the pressure instrument.

### Standard execution

- Type C Coil siphon with connection
- Type D Coil siphon with welding connection



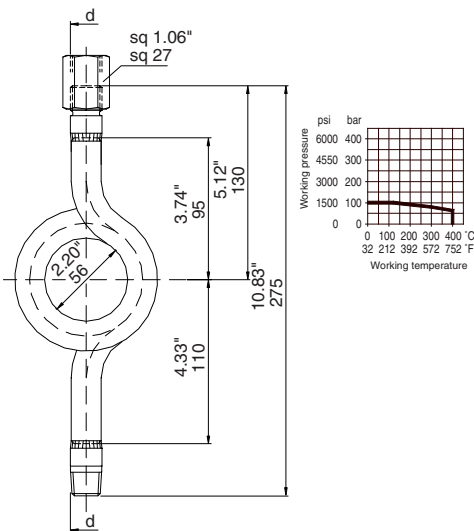
Material	Steel	Stainless steel
Connection instrument	1/2" NPT	1/2" NPT
Type C 1/2" NPT	ASC38171	ASC28171
Type D welding connection	ASD38100	ASD28100

Consult ENFM for various configurations of materials.



## Sizes Siphons

### Coil siphon with connection Type C



### Coil siphon with welding connection Type D

