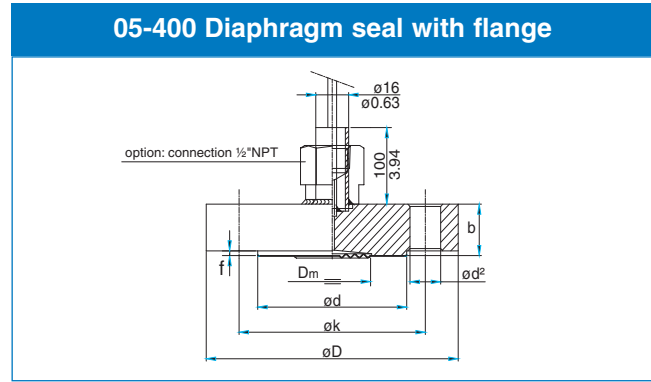
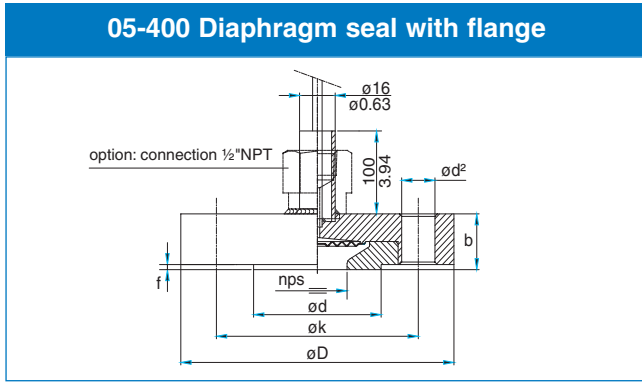




Sizes series 05-400



DN	Class	D	k	d	b	f	d ²	Dm
inch	1/2"	150	2.38	1.38	0.79	0.06	4 x $\phi 15.9$	1.26
	1/2"	300	2.62	1.38	0.79	0.06	4 x $\phi 15.9$	1.57
	3/4"	150	3.88	2.75	1.69	0.79	4 x $\phi 15.9$	1.57
	3/4"	300	4.63	3.25	1.69	0.79	4 x $\phi 19.0$	1.57
	1"	150	4.25	3.13	2.00	0.79	4 x $\phi 15.9$	2.05
	1"	300	4.88	3.50	2.00	0.79	4 x $\phi 19.0$	2.05
mm	1/2"	150	88.9	60.5	35.0	20.0	4 x $\phi 0.63$	32.0
	1/2"	300	95.2	66.5	35.0	20.0	4 x $\phi 0.63$	40.0
	3/4"	150	98.6	69.8	42.9	20.0	4 x $\phi 0.63$	40.0
	3/4"	300	117.5	82.5	42.9	20.2	4 x $\phi 0.75$	40.0
	1"	150	107.9	79.4	50.8	20.2	4 x $\phi 0.63$	52.0
	1"	300	124.0	88.9	50.8	20.2	4 x $\phi 0.75$	52.0

DN	Class	D	k	d	b	f	d ²	Dm
inch	1 1/2"	150	5.00	3.88	2.88	0.69	4 x $\phi 0.62$	1.89
	1 1/2"	300	6.12	4.50	2.88	0.81	4 x $\phi 0.89$	1.89
	1 1/2"	400/600	6.12	4.50	2.88	1.13	4 x $\phi 0.89$	1.89
	1 1/2"	900/1500	7.00	4.88	2.88	1.50	4 x $\phi 1.12$	1.89
	1 1/2"	2500	8.00	5.75	2.88	2.00	4 x $\phi 1.25$	1.89
	2"	150	6.00	4.75	3.62	0.75	4 x $\phi 0.75$	2.32
	2"	300	6.50	5.00	3.62	0.88	4 x $\phi 0.75$	2.32
	2"	400/600	6.50	5.00	3.62	1.25	4 x $\phi 0.75$	2.32
	2"	900/1500	8.50	6.50	3.62	1.75	4 x $\phi 1.00$	2.32
	2"	2500	9.25	6.75	3.62	2.25	4 x $\phi 1.12$	2.32
	3"	150	7.50	6.00	5.00	0.95	4 x $\phi 0.94$	3.50
	3"	300	8.25	6.62	5.00	1.13	4 x $\phi 0.89$	3.50
mm	1 1/2"	150	127.0	98.6	73.1	17.5	4 x $\phi 15.75$	48
	1 1/2"	300	155.5	114.3	73.1	20.6	4 x $\phi 22.50$	48
	1 1/2"	400/600	155.5	114.3	73.1	28.7	4 x $\phi 22.50$	48
	1 1/2"	900/1500	177.8	124.0	73.1	38.1	4 x $\phi 28.50$	48
	1 1/2"	2500	203.2	146.1	73.1	50.8	4 x $\phi 31.75$	48
	2"	150	152.4	120.6	91.9	19.0	4 x $\phi 19.00$	59
	2"	300	165.1	127.0	91.9	22.4	4 x $\phi 19.00$	59
	2"	400/600	165.1	127.0	91.9	31.8	4 x $\phi 19.00$	59
	2"	900/1500	215.9	165.1	91.9	44.5	4 x $\phi 25.40$	59
	2"	2500	235.0	171.5	91.9	57.2	4 x $\phi 28.50$	59
	3"	150	190.5	152.4	127.0	23.9	4 x $\phi 19.00$	89
	3"	300	209.6	168.2	127.0	28.5	4 x $\phi 22.50$	89

